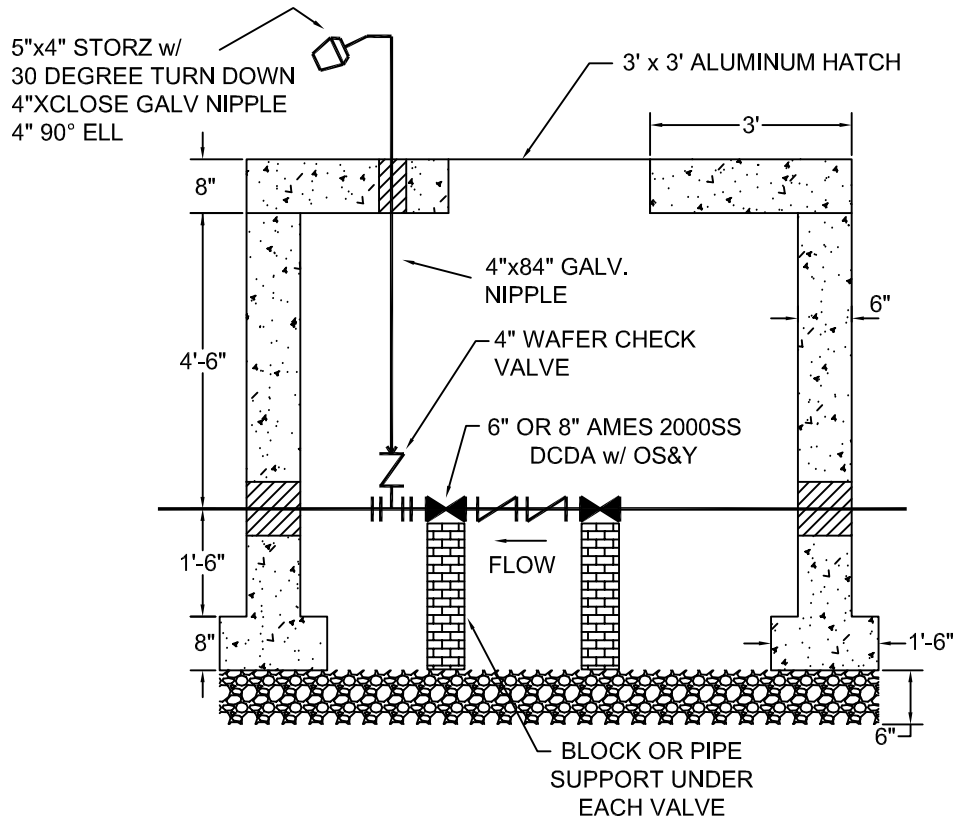
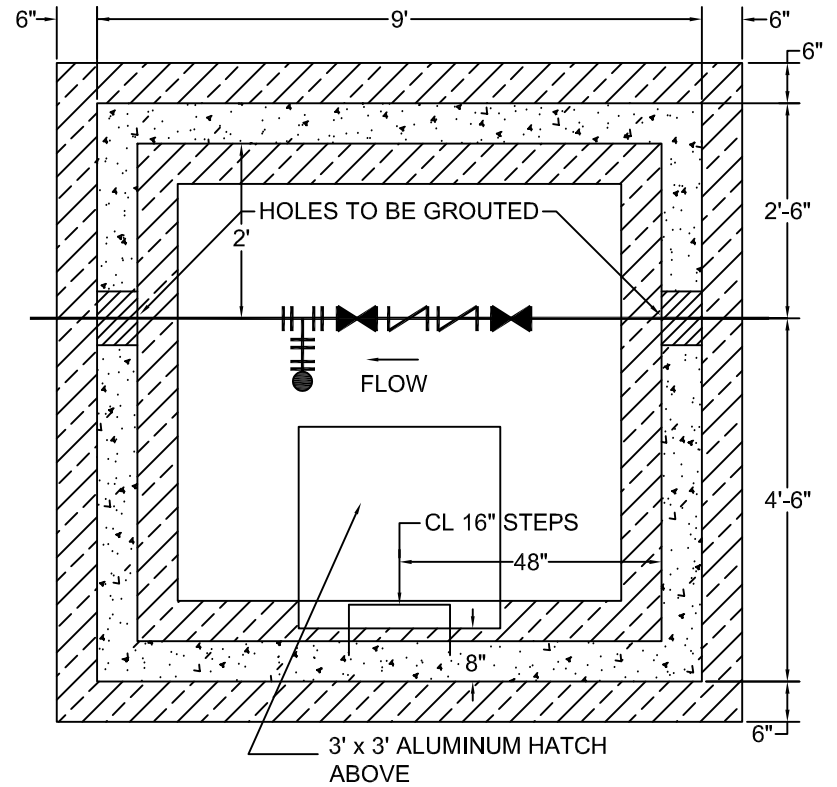


ELEVATION



PLAN



REINFORCEMENT:
WALLS: #4 GRADE 60 BAR @
10" OCEW
FOOTER & TOP: #5 GRADE 60 BAR
@ 8" OCEW



GreenvilleWater

6 & 8 - INCH
BACKFLOW PREVENTER
VAULTS
MAY 5, 2016