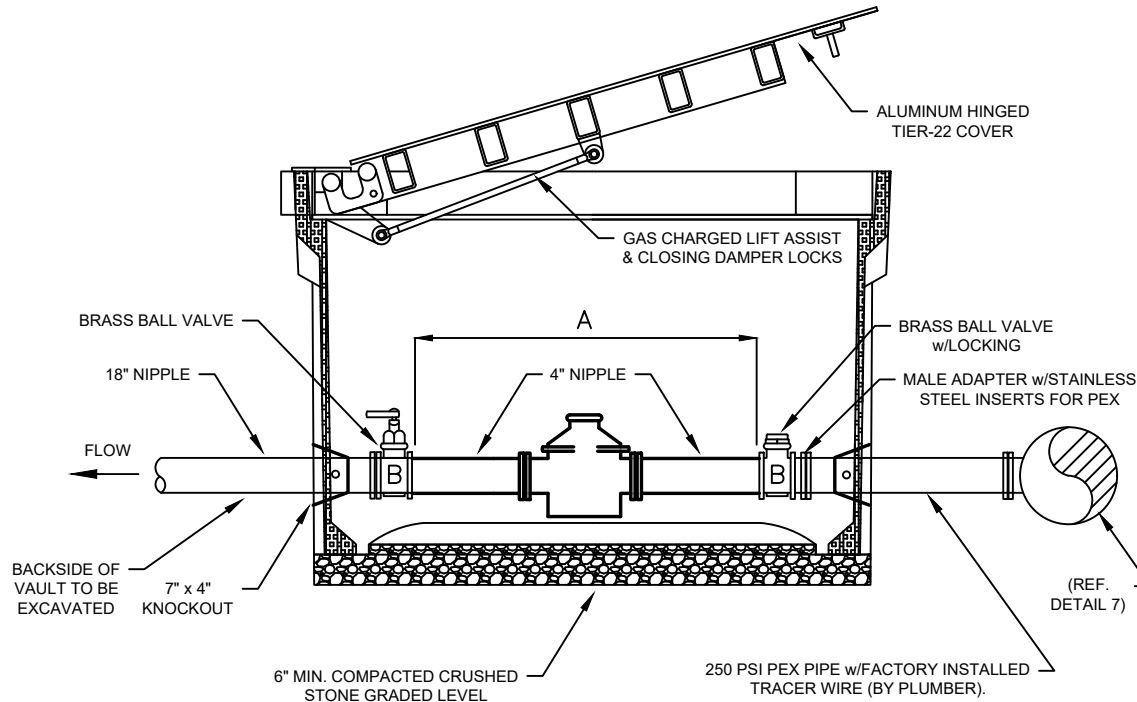


METER SIZE		1-1/2"	2"
A	SPACE FOR METER	2' - 4"	2' - 8"
B	BRASS BALL VALVE, F.I.P. x F.I.P.	MUELLER B-20 200	MUELLER B-20 200
		FORD B11-666W-NL	FORD B11-777W-NL
		AY-M76101W 1 1/2 BALL CURB FNPT X FNPT - NL	AY-M76101W 2 BALL CURB FNPT X FNPT - NL



METER INSTALLATION PROCEDURE

1. A CONTRACT FOR WATER SERVICE SHALL BE SIGNED AND ALL APPLICABLE FEES PAID AT THE ENGINEERING OFFICE.
2. THE PLUMBING CONTRACTOR OR APPLICANT IS RESPONSIBLE FOR OBTAINING THE NECESSARY PERMITS FOR EXCAVATION.
3. ALL EXCAVATION TO BE DONE BY PLUMBER.
4. METER PIT TO BE TRICAST-3048 TIER 22 36" TALL w/ TIER 22 ALUMINUM LID
5. FOR INSTALLATION OF 1-1/2" METER ONLY 2-2" X 1-1/2" BRASS REDUCING DOMESTIC BUSHINGS ARE REQUIRED. TO BE SUPPLIED BY THE PLUMBER.
6. 2" SADDLE, CORPORATION, MALE ADAPTER AND METER TO BE SUPPLIED BY GREENVILLE WATER.

FOR ALL METERS 1.5" AND LARGER, A SCDES APPROVED BACKFLOW PREVENTION ASSEMBLY SHALL BE INSTALLED NO GREATER THAN 50' FROM THE METER OUTLET. BACKFLOW PREVENTION ASSEMBLIES SHALL BE FIELD TESTED, AND A COPY OF THE FIELD TEST REPORT SHALL BE EMAILED TO BFP@GREENVILLEWATER.COM

THE BACKFLOW MUST BE INSTALLED IN THE UPRIGHT POSITION WITH THE MAKE AND MODEL LEGIBLE. THE TEST PORTS AND SHUT OFF VALVES MUST BE ACCESSIBLE. THE BACKFLOW DEVICE SHALL NOT BE INSTALLED MORE THAN 18" BELOW GRADE. DEVICE BOX SHALL BE FLUSH WITH GROUND LEVEL.



GreenvilleWater

TYPICAL METER INSTALLATION - 1-1/2" & 2"

REVISION DATE:	DETAIL NO:
3.17.2025	4
(NOT TO SCALE)	